

Matchbox™

User Guide

Information and specifications in this document are subject to change without notice.

Cineo Lighting has developed the versatile, compact Cineo Matchbox Remote Phosphor light source. With its compact size and low power consumption, Matchbox is perfect for film or television projects where high powered, flicker-free, color-accurate, portable soft light is required.

Cineo Matchbox is extremely durable and built to last with anodized alloy construction, flexible polycarbonate panels and stainless steel hardware. Dimming options include the on-board dimmer, external dimmer and external DMX control.

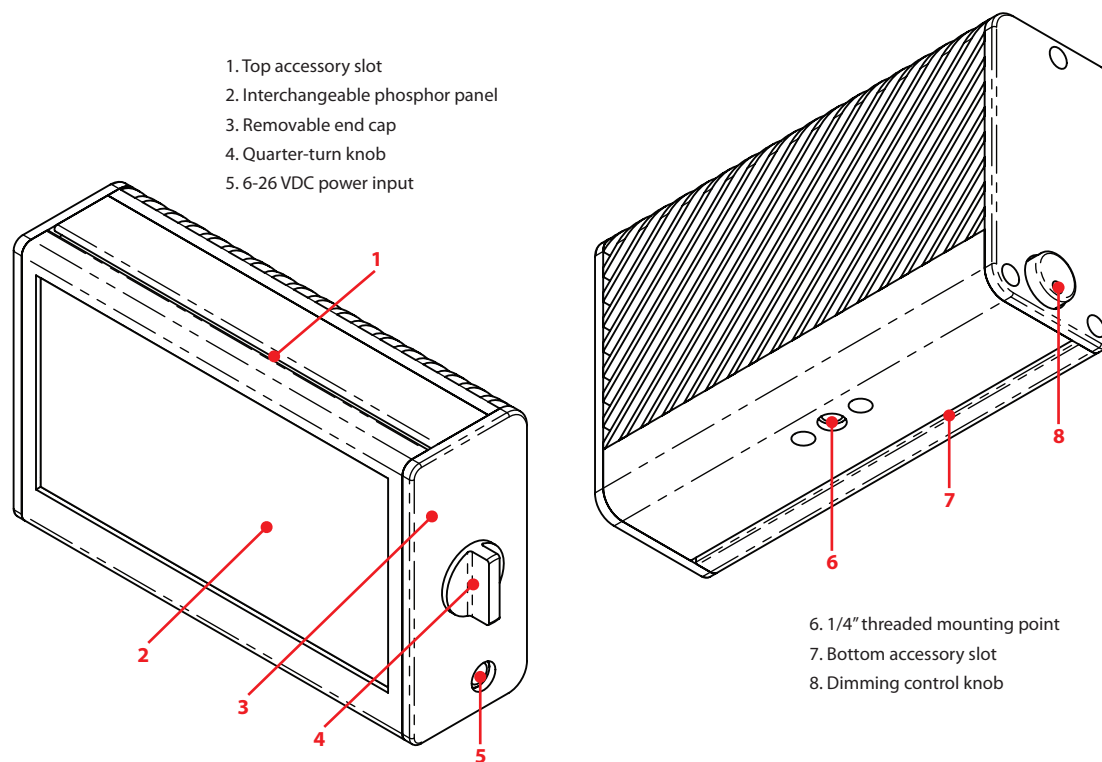
Rather than using traditional diffusion to soften the light source, the light from Matchbox emits directly from the Cineo Lighting remote phosphor panel, providing a light characteristic that radiates equally in a 160° radial arc. This gives Matchbox the ability to “wrap” the subject with soft light and edgeless shadows. The phosphor panels are excited by blue

LEDs, which are turned off when the barrel connector is unplugged and the phosphor panel is removed. The color temperature of Matchbox is extremely consistent fixture to fixture, and will not change over time like other lighting technologies.

Power for Matchbox is supplied through an industry-standard 5.5 x 2.1 barrel connector with an input voltage range of 6 to 26 VDC.

Like all Cineo soft lights, Matchbox allows the user to interchange its Remote Phosphor panels, supporting CCTs of 2700K, 3200K, 4300K, and 5600K. Matchbox color quality perfectly matches all other Cineo soft lights, with CRI ratings of 92-98, depending on color temperature. Matchbox also features a standard 1/4” mounting point on its base and mounting slots at the top and bottom which enable the attachment of accessories to the front and back.

Controls and Functions



Using Matchbox

POWER

Matchbox is powered by applying 6-26 VDC into the barrel connector on the side of the unit. Supplied with the fixture is a 100/240 VAC adapter that can supply 12VDC through the included power extension cable or directly into the unit. Available separately from Cineo are battery clips for Sony or Canon batteries, and D-Tap adapter cables.

DIMMING

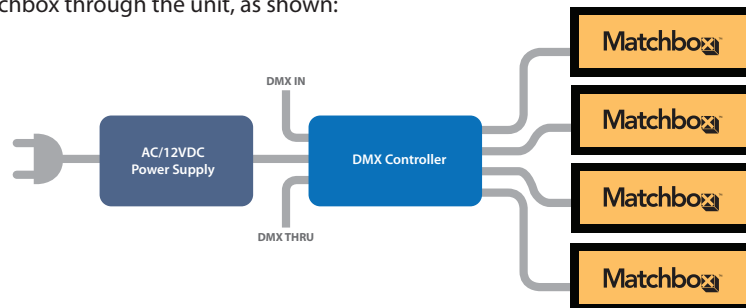
Cineo Matchbox features an on-board 0-100% flicker-free dimmer. To adjust the volume of light produced by the fixture, the red dimming control knob can be toggled to its extended position by gently pushing on its end and then rotating clockwise to brighten or counterclockwise to dim. Once set, push the knob in to lock its light level and for safe storage of the fixture. When the knob is fully turned counterclockwise (6 o'clock) no power is being consumed by the unit or supplied to the LEDs. Optionally, the Matchbox can be controlled via most upstream remote or DMX dimmers via the power input. When external dimming is used, the internal dimmer acts as a limiter to the range of the outboard dimmer, so both can be used in conjunction. As with all Cineo fixtures, there is no color shift when dimming.

LiteGear E-Control 4x4 DMX Dimmer

For installations requiring remote control, the LiteGear E-Control 4x4 V3 DMX Dimmer provides up to 4 channels of DMX control from a single unit, each channel capable of a 4A load, i.e. up to (4) Matchbox fixtures per channel.

The DMX dimmer and subsequent loads require a 15A power supply for full operation.

Power is provided for the unit by passing DC power for the Matchbox through the unit, as shown:



The DMX dimmer is provided with adapter cables for use with standard 5-pin XLR connections for both DMX IN and THRU.

The DMX pin-out wiring is as follows:

- Pin 1: Signal Common
- Pin 2: Data -
- Pin 3: Data +
- Pin 4: Spare
- Pin 5: Spare

The DMX control line is self-terminating and does not require external DMX termination when used in a control chain.

DMX Operation

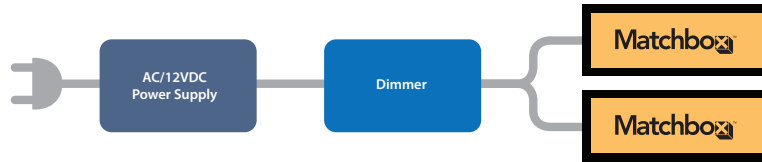
The DMX Controller can be addressed using the onboard control buttons (6, s, t) to set the DMX start value. To access DMX Mode, press 6 until you see appear next to "DMX ADDR" on the digital display. From this screen, use the s and t buttons to set the desired start address for the controller. Note that the process of addressing the DMX Controller only sets the start address for the first output. The three subsequent outputs are then automatically assigned the three subsequent channels (e.g. addressing a start address 217 would assign channels 217, 218, 219, and 220).

There is an additional DMX address (000) that acts as a test channel for the LED outputs. Please refer to the LiteGear troubleshooting guide: <http://www.litegear.com/wp-content/uploads/2014/07/4x4-V3Instructions.pdf>

The DMX Controller has a built-in "lock out" function that will automatically save the current settings should there be a power outage. The settings will only save once the controller has locked out, which takes approximately five seconds. It will then return to the last saved settings on startup.

Cineo Inline Dimmer

The Cineo Inline Dimmer is a basic flicker-free controller for nearly all configurations of Matchstix implementations. The maximum current load that can be controlled on a single dimmer is 8A, meaning that up to (8) Matchbox fixtures can be controlled on a single dimmer. DC power is passed through the dimmer and can operate within the voltage range of the Matchbox, passing through the dimmed power to the attached Matchbox(es) using cables and splitters.



The slider control on the dimmer controls levels from 0-100% seamlessly, with the indicator light showing that power is connected to the dimmer.

CHANGING COLOR TEMPERATURE

The color temperature of the light created by Matchbox is controlled by the installation of a phosphor panel. These interchangeable panels can be easily changed without removing accessories or changing mounting setups.

To change the color temperature of Matchbox, first unplug the power connector from the Matchbox. Next, rotate the silver quarter-turn knob counterclockwise until horizontal, releasing the end cap. Slide the phosphor panel out the end of the fixture. A different color temperature panel can then be inserted into the slot in the open end of the light. The end cap can then be replaced with a clockwise turn of the knob to a vertical position. Power can then be plugged back into the light.

Matchbox is supplied with 3200K and 5600K phosphor panels, but 2700K and 4300K panels are optionally available as accessories.

ACCESSORIES

Barn doors, battery trays, additional phosphor panels, mounting hardware, DMX controllers, various power cables and other accessories are available through your Cineo reseller.

SPECIFICATIONS

Input:	6-26 VDC input
Power consumption:	13w
Lamphead dimensions:	3.25" x 5.25" x 1.5"(82.6mm x 133.4mm x 38mm)
Lamphead weight:	15 oz (425g)
Lamp life:	35,000 hr. L70 rated
Environmental temperature range:	-20° - +40° C
Max. temperature rise:	+20° C
Warranty:	2-year parts and labor warranty
UV light emitted:	Zero UV light emitted
Built in USA	

CINEO
LIGHTING™

Silicon Valley | Los Angeles | London
info@cineolighting.com
+1 310.425.3425

www.cineolighting.com

Specifications are subject to change without notice. Cineo Lighting and Matchbox are registered trademarks of Cineo Lighting, Inc. ©2016 Cineo Lighting, Inc. v06.28.16