



DLH650 Tungsten Light Head

A mains operated tungsten light with unrivaled focusing range and superior light quality.

Can be used with a choice of 650W, 500W or 300W halogen lamps in versions from 100-240V.

Option: available with additional DMX electronic (DLH650DMX).

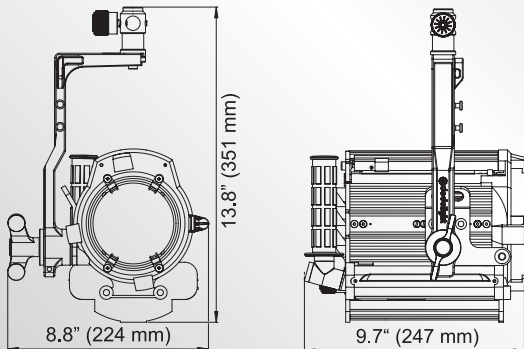
DLH650PO Pole Operated Tungsten Light Head

For hanging application in studios. Pan, tilt and focus are operated by pole. All other features are identical with DLH650.

Option: available with additional DMX electronic (DLH650PO-DMX).

Technical Data: DLH650

Focus Angle:	56°-8°
Focus Intensity:	1 : 13
Focus Scale:	Indicates current angle of beam
Weight:	3400g (7.5 lbs)
Wattage:	300W, 500W, 650W
Voltage:	100 V, 120V, 230V, 240V
Cable length:	5 m, (16.4')
Mounting:	16 mm (5/8") receptacle and 28 mm (1 1/8") stud
Tilt control:	Tilt pivot at center-of-gravity provides excellent balance. Permanent friction and positive locking



Technical Data: DLH650PO

Focus Angle:	56°-8°
Focus Intensity:	1 : 13
Focus Scale:	Indicates current angle of beam.
Weight:	4700g (10.4 lbs)
Wattage:	300W, 500W, 650W
Voltage:	100V, 120V, 230V, 240V
Cable length:	5 m, (16.4')
Mounting:	16 mm (5/8") receptacle and 28 mm (1 1/8") stud
Tilt control:	Tilt pivot at center-of-gravity provides excellent balance

