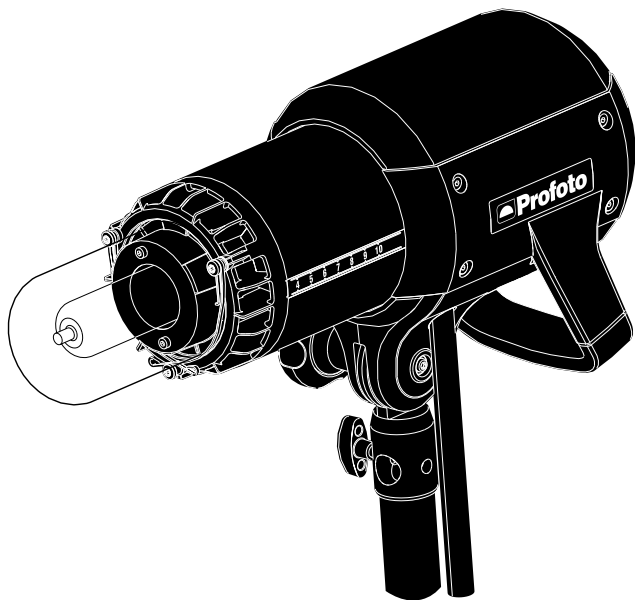


ProDaylight 800 Air ProBallast 800

User's Guide





Thank you for choosing Profoto

Thanks for showing us your confidence by investing in a ProDaylight unit. For more than four decades we have sought the perfect light. What pushes us is our conviction that we can offer even yet better tools for the most demanding photographers. Before our products are shipped we have them pass an extensive and strict testing program. We check that each individual product comply with specified performance, quality and safety. For this reason our flash equipment is widely used in rental studios and rental houses worldwide, from Paris, London, Milan, New York, Tokyo to Cape Town.

Some photographers can tell just from seeing a picture, if Profoto equipment has been used.

Professional photographers around the world have come to value Profoto's expertise in lighting and light-shaping. Our extensive range of Light Shaping Tools offers photographers unlimited possibilities for creating and adjusting their own light.

Every single reflector and accessory creates its special light and the unique Profoto focusing system offers you the possibility to create your own light with only a few different reflectors.

Enjoy your Profoto product!

Safety instructions



SAFETY PRECAUTIONS!

Read and follow all safety instructions below carefully to avoid injuries or damages! Make sure that Profoto Safety Instructions is always accompanied the equipment! Profoto products are intended for professional use! The equipment is only intended for indoor photographic use. Do not place or use the equipment where it can be exposed to moisture, extreme electromagnetic fields or in areas with flammable gases or dust! Do not use the equipment in ambient temperature higher than +35 °C (+95 °F). Do not expose the equipment to dripping or splashing. Do not place any objects filled with liquids on or near the equipment. Do not expose the equipment to hasty temperature changes in humid conditions as this could lead to condensation water in the unit. Do not connect this equipment to equipment from other brands. Only use ballast, lamps and light shaping tools as specified by Profoto. Do not use lamp without supplied protective glass covers or protective grids. Do not stare directly at lamp while in operation. Minimum distance to flammable surfaces is 400 cm in front of the lamp. Limit exposure in front of the lamp if used at close distances. Glass covers shall be changed if it has become visibly damaged to such an extent that their effectiveness is impaired, for example by cracks or deep scratches. Lamps shall be changed if they are damaged or thermally deformed. When placing a lamp into the holder ensure not to touch the bulb with bare hands. Equipment must only be serviced, modified or repaired by authorized and competent service personnel!



WARNING – Electrical Shock – High Voltage!

The equipment shall always be connected to grounded mains power supply outlet! Only use Profoto extension cables and mains cables! Do not open or disassemble ballast or lamp head! Equipment operates with high voltage. Disconnect lamp head cable between ballast and lamp head when changing bulb!



Caution – Burn Hazard – Hot Parts!

Do not touch hot parts with bare fingers! Bulb, protective glass cover and certain metal parts emit strong heat when used! Reflector parts may reach a temperature of +200 °C (+392 °F). When the lamp has been in use, wait 10 minutes before removing the protective glass cover. Do not point lamp too close to persons. All lamps may on rare occasions explode and throw out hot particles!

NOTICE

NOTICE – Equipment Overheating Risk

Remove transport cap from lamp head before use! Do not obstruct ventilation by placing filters, diffusing materials, etc. over inlets and outlets of the equipment ventilation or directly over protective glass cover.

Note about RF!

This equipment makes use of the radio spectrum and emits radio frequency energy. Proper care should be taken when the device is integrated in systems. Make sure that all specifications within this document are followed, especially those concerning operating temperature and supply voltage range. Make sure the device is operated according to local regulations. The frequency spectrum this device is using is shared with other users. Interference can not be ruled out.



Final Disposal

Equipment contains electrical and electronic components that could be harmful to the environment. Equipment may be returned to Profoto distributors free of charge for recycling according to WEEE. Follow local legal requirements for separate disposal of waste, for instance WEEE directive for electrical and electronic equipment on the European market, when product life has ended!

Table of Contents

System description	7
Profoto Air	7
Nomenclature	8
Functionality	9
Metal halide lamp	9
Glass cover	9
Reflector	9
Light intensity	9
Remote control	10
Cooling system	10
Built-in timers	10
ProBallast	11
Power supply	11
Power on/off	11
Frequency mode	11
Operating instructions	12
Stand mounting	12
Remove protecting cap	12
Changing glass cover	12
Reflector mounting	13
Power connection	13
Radio settings	13
Cooling setting	14
Adjusting light intensity	14
Read out firmware version and timer value	14
Changing settings in standby mode	14
Turn unit off	14
Remote control	15
Turn unit on/off	15
Light intensity setting	15
Maintenance	16
Changing lamp	16
Changing fuse	16
Trouble shooting	17
List of compatible Profoto Light Shaping Tools	18

Technical data	19
ProDaylight 800 Air	19
ProBallast 800	19
Warranty	19
Regulatory information	20
Declaration of Conformity – ProDaylight 800 Air	20
Declaration of Conformity – ProBallast 800	21
Unites States and Canada	22
F.C.C. and Industry Canada	22
Warning (Part 15.21).....	22
Japan	23

System description

ProDaylight 800 Air is a metal halide based (HMI type) continuous light source. The powerful metal halide lamp provides daylight color temperature, which is ideal for many photo and video shoots.

The ProDaylight 800 Air is designed for heavy-duty use. Its metal housing and all components are solid, reliable and withstand even the most demanding shooting situations.

The ProDaylight 800 Air is powered from a flicker-free multi-voltage electronic ballast.

As a professional photographer or videographer, you have your own special style and needs. Profoto's Light Shaping Tools – including the new line of Light Shaping Tools for Video Lights – fit perfectly with the ProDaylight 800 Air, enabling you to shape the light your own way.

Profoto Air

Profoto Air is a system for convenient remote control of flash generators and studio lamps. The Profoto Air system is operating on one of eight selectable radio channels on the 2.4 GHz radio frequency band, for world wide use. Profoto Air allows control of your light from as far away as 300 m/1000 ft (free line of sight).

The Profoto Air radio system is fully integrated in the ProDaylight 800 Air.

Profoto Air Remote

The Profoto Air Remote device offers remote control of your ProDaylight 800 Air unit. The device controls practically an infinite number of ProDaylight 800 Air units in up to six groups, either all at once in Master mode, or in individual groups.

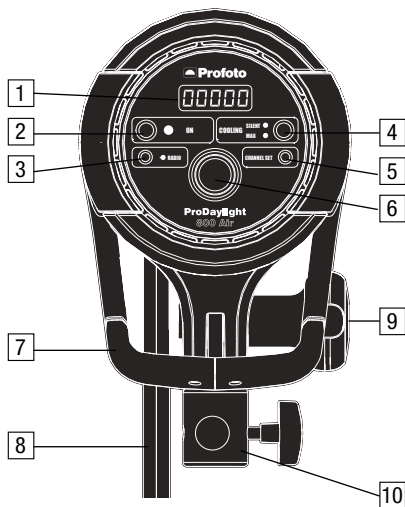
Profoto Air USB

The Profoto Air USB device is a USB 2.0 transceiver, which connects your ProDaylight 800 Air unit to your PC or Mac via a wireless connection.

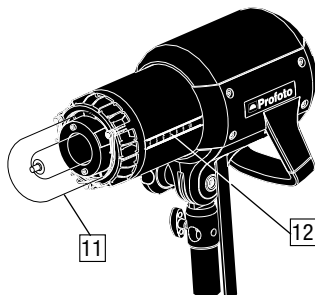
Profoto Studio 3

Profoto Studio 3 is a software solution for both PC and Mac, which gives you full control of all your ProDaylight 800 Air units from your computer. You can control each unit individually or group them to control multiple units at one time. You can save customer lighting setups for use at a later time.

Nomenclature



- | | |
|---------------------|----------------------------|
| 1. Display | 4b. Silent Indicator |
| 2. POWER CONTROL | 4c. Max Indicator |
| 2a. On/Off Button | 5. Channel Set Button |
| 2b. Power Indicator | 6. Setting Knob |
| 3. RADIO CONTROL | 7. Handle |
| 3a. Radio Button | 8. Lamp Cable |
| 3b. Radio Indicator | 9. Locking Knob |
| 4. COOLING CONTROL | 10. Stand Adapter |
| 4a. Cooling Button | 11. Protective glass cover |
| | 12. Zoom Scale |



Functionality

Metal halide lamp

The ProDaylight 800 Air unit is equipped with a powerful metal halide lamp, providing daylight color temperature.



SAFETY PRECAUTION!

Profoto only uses UV-doped CSR-lamps, which emit a fraction of the hazardous UV radiation compared to classic HMI type lamps. Never use other types of lamps than the ones specified by Profoto.

A cold metal halide lamp does not immediately begin producing its full light capacity. The warm up period can be a few minutes. During that time, the color of the light will vary.

If the ProDaylight 800 Air unit is turned off, it takes about two minutes before the warm lamp can be turned on again. It is recommended to let the lamp run for at least **15 minutes** after turning it on, since turning the lamp on and off repeatedly considerably reduces the life time of the lamp.

Glass cover

Metal halide lamps operate under high pressure and temperature and require special safety measures. The ProDaylight 800 Air unit is equipped with a protective glass cover, which protects from lamp shatter and UV radiation. Unless the glass cover is correctly mounted (see page 13) it is not possible to turn on the ProDaylight 800 Air unit.



SAFETY PRECAUTION!

A damaged (cracked or scratched) glass cover must never be used! The level of UV protection provided by the glass cover is matched to the lamp type specified by Profoto. Only use Profoto specified lamps.

The protective glass cover is available in different versions; with frosted and clear glass and with different coatings for distinctive color temperature adjustments.

Reflector

By mounting a reflector and placing it in different positions, using the Zoom Scale [12], several light shapes can be created for each lighting purpose. The unique rubber collar fastening system provides secure and rapid handling of the reflectors, also when hot.

Light intensity

The current light intensity is shown in the Display [1], in percent (%) of maximum light output.

The Setting Knob [6] is used to adjust the light intensity, in 1% or 10% increments.

Remote control

The Profoto Air radio system is fully integrated in the ProDaylight 800 Air unit, allowing wireless remote control.

With the Profoto Air Remote device, the ProDaylight 800 Air unit can be turned on/off remotely and the light intensity can be adjusted. With the Profoto Studio Air software, multiple lighting setups including numerous continuous lights and flash units can be created and coordinated.

For more information about remote control, please refer to the User's Guides for Profoto Air Remote or Profoto Air USB/Profoto Studio Air.

Cooling system

The ProDaylight 800 Air unit is equipped with an effective cooling system, designed for optimal cooling without generating unwanted noise.

The cooling system includes automatic overheating protection. If the temperature of the ProDaylight 800 Air unit exceeds maximum set levels, the ProDaylight 800 Air unit will be turned off. This automatic protection will only interfere under extreme conditions, such as when the air vents are blocked.

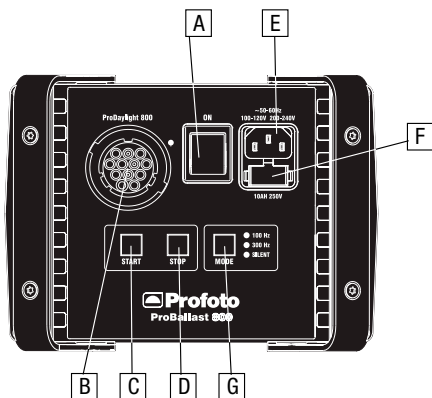
Built-in timers

The lamp has a built-in timer, which can be read out and reset in standby mode. The timer feature is included to make it easier to keep track of lamp life.

There is also another timer, which can not be reset from the panel interface. This timer can only be read out and reset via the Profoto Air system.

ProBallast

ProDaylight lamps require an electronic ballast to deliver the proper voltage and current. The ProBallast 800 is a flicker-free electric ballast device dedicated for the ProDaylight 800Air unit. The ProBallast 800 has a passive cooling system for quiet operation.



- | | |
|--------------------|--------------------|
| A. On/Off Switch | F. Fuse Holder |
| B. Lamp Connector | G. MODE CONTROL |
| C. Start Button | G1. Mode Button |
| D. Stop Button | G2. Mode Indicator |
| E. Power Connector | |

Power supply

The ProBallast 800 can be connected to 95-265 VAC, 50-60 Hz. It automatically senses and adapts to the supplied voltage and frequency. Only use fuses specified in section *Technical data*.

Power on/off

The On/Off Switch [A] is used to turn on/off the ProBallast 800.

The Start Button [C] is used to turn on the ProDaylight 800 Air unit.

The Stop Button [D] is used to turn off the ProDaylight 800 Air unit.

Frequency mode

The frequency of the output voltage is switchable between SILENT (50 Hz), 100 Hz (flicker free) and 300 Hz (high speed). A higher frequency will allow higher frame rates (fps) during video shoots without flicker. The Mode Button [G1] is used to select the frequency setting.

Operating instructions

Stand mounting

1. Mount and fasten the ProDaylight 800 Air unit on the stand using the locking knob on the Stand Adapter [10].
2. The unit can be directed upwards/downwards when the Locking Knob [9] is loosened. Fasten the Locking Knob [9] when the unit is correctly directed.

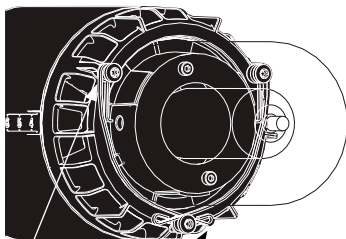
Remove protecting cap

1. Unlock the clasp on the protecting cap.
2. Gently remove the protecting cap from the ProDaylight 800 Air unit.

Changing glass cover

CHANGING GLASS COVER

Unlock glass cover

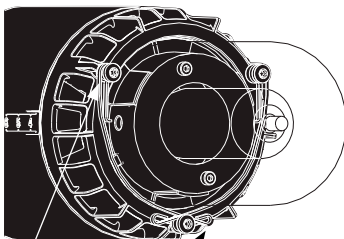


2. Pull the safety pin out.

1. Lift and remove the safety pin to release.

CHANGING GLASS COVER

Lock glass cover



1. Fit the safety pins in existing holes located on the glass cover.
2. Push the safety pin in.

3. Press down the safety pin and fit under the screw to lock.

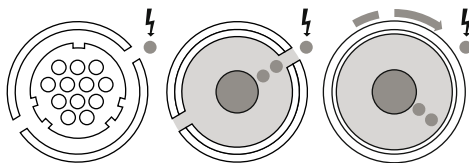
1. Ensure that the ProDaylight 800 Air unit is turned off and that the Lamp Cable [8] is not connected.
2. If the ProDaylight 800 Air unit has been in use, wait for the unit to cool down or use protective gloves.
3. Unlock the glass cover by lifting the safety pins and then pulling them one by one.
4. Gently remove the glass cover and fit the new glass cover in place.
5. Make sure that the circuit breaker is pressed down and that both safety pins fit properly into the holes on each side of the glass cover.
6. Secure the glass cover by pressing the safety pins down and then pushing them one by one under the top screw.

Reflector mounting

1. Unlock the clasp on the reflector.
2. Slide the reflector onto the ProDaylight 800 Air unit. Use the Zoom Scale [12] to place the reflector in the desired position.
3. Secure the reflector by locking the clasp.

Power connection

1. Connect the Lamp Cable [8] to the Lamp Connector [B] on the ProBallast 800 by aligning the white dots on the cable plug with the white dot on the ballast panel. Secure by turning the ring on the plug clockwise.



2. Connect the AC mains cable to the Power Connector [E] on the ProBallast 800 and to the mains power supply outlet.
3. Use the On/Off Switch [A] to turn on the ProBallast 800.
4. The Power Indicator [2b] on the ProDaylight 800 Air unit will be red, indicating that the unit is receiving power but is in standby mode.
5. Press the On/Off Button [2a] on the ProDaylight 800 Air unit or the Start Button [C] on the ProBallast 800 to turn on the ProDaylight 800 Air unit.
6. The Power Indicator [2b] on the ProDaylight 800 Air unit will now be green.

Radio settings

1. Activate the built-in radio transceiver by pressing the Radio Button [3a] and verify that the Radio Indicator [3b] is illuminated (green).
2. Press the Channel Set Button [5]. The Display [1] will start flashing, showing the current radio channel number to the left and the radio group letter to the right.
3. While the Display [1] is flashing, turn the Setting Knob [6] clockwise to increase the radio channel number (**1** to **8**) and counter-clockwise to decrease the number.
4. While the Display [1] is flashing, press and hold down and turn the Setting Knob [6] clockwise to increase the group letter (**A** to **F**) and counter-clockwise to decrease the letter.
5. Wait until the Display [1] stops flashing. (The Display [1] will now show the light intensity.)

Cooling setting

The Cooling Button [4a] is used to select cooling mode:

- SILENT: “Normal” cooling. In this mode the cooling adapts to the ambient environment, keeping the noise level to a minimum without risking overheating of the equipment.
- MAX: Maximum cooling is provided for lamp and accessories. This mode is intended for use only when sound level is not an issue and the lamp is operated under extreme temperature conditions.

Adjusting light intensity

Use the Setting Knob [6] to adjust the light intensity:

- Turn the Setting Knob [6] clockwise to increase the light intensity in 1% increments and counter-clockwise to decrease.
- Press and hold down the Setting Knob [6] and turn the knob clockwise to increase the energy in 10% increments and counter-clockwise to decrease.

Read out firmware version and timer value

To read out the firmware revision and timer value, the lamp must be in standby mode.

1. Press and hold the Setting Knob [6] for 1 second, then release the knob.
2. The timer value in hours will now be displayed.
3. Toggle between the timer value and the firmware revision by turning the Setting Knob [6] clockwise and counter-clockwise.
4. Reset the timer value by pressing the Channel Set Button [5].
5. Return to standby by pressing the Setting Knob [6].

Changing settings in standby mode

All settings on the lamp can be reached and changed in standby mode. A short press on the Setting Knob [6] will light up the settings and make it possible to change set values.

Turn unit off

1. Press the On/Off Button [2a] on the ProDaylight 800 Air unit or the Stop Button [D] on the ProBallast 800 to turn off the ProDaylight 800 Air unit.
2. The Power Indicator [2b] on the ProDaylight 800 Air unit will be red, indicating that the unit is receiving power but is in standby mode.
3. Use the On/Off Switch [A] to turn off the ProBallast 800.
4. Disconnect the AC mains cable on the ProBallast 800 from mains power.

Remote control

For remote control using Profoto Air Remote, the same radio channel and group have to be set on the ProDaylight 800 Air unit and the Profoto Air device.

For remote control using Profoto Air USB and Profoto Studio Air, the same radio channel has to be set on the ProDaylight 800 Air unit and in the Profoto Studio Air program.

For radio channel and group settings on the Profoto Air devices and the Profoto Studio Air program, please refer to the corresponding User's Guide.

Turn unit on/off

Use the Head or Model Buttons (1) and (0) on the Profoto Air Remote device to turn the ProDaylight 800 Air unit on and off.

Light intensity setting

Use the Energy Buttons (+) and (-) on the Profoto Air Remote device to increase/decrease the light intensity:

- Press the Energy Button < 2 seconds to increase/decrease in 1% increments.
- Press the Energy Button > 2 seconds to increase/decrease in 10% increments.

Maintenance

Changing lamp

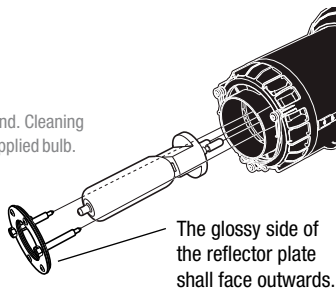
1. Ensure that the ProBallast 800 is turned off and that the Lamp Cable [8] is not connected.
2. If the ProDaylight 800 Air unit has been in use, wait for the unit to cool down.
3. Unlock the glass cover by pressing the safety pins down and then pulling them one by one, see figure on page 12.
4. Gently remove the glass cover.
5. Unscrew the two screws and remove the reflector plate.

16



SAFETY PRECAUTION!

Do not touch bulb with bare hand. Cleaning cloth is included with Profoto supplied bulb.



6. Pull the lamp straight out of the socket. Always use protective gloves when doing this.
7. Insert a new modeling lamp, straight into the socket. Do not touch the lamp with bare hands.
8. Fit the reflector plate in place, with the glossy side facing outwards. Tighten the two screws.
9. Gently fit the glass cover in place.
10. Make sure that the circuit breaker is pressed down and that both safety pins fit properly into the holes on each side of the glass cover, see figure on page 13.
11. Secure the glass cover by pressing the safety pins down and then pushing them one by one under the top screw.

Changing fuse

There is one exchangeable fuse in the ProBallast 800.

1. Disconnect the ProBallast 800 from AC mains power.
2. Pull out the Fuse Holder [F] and remove the old fuse.
3. Gently push the new fuse all the way into the Fuse Holder [F]. Only use fuses specified in section *Technical data*.
4. Gently push the Fuse Holder [F] in place.

Trouble shooting

Symptom	Diagnose	Action
Power Indicator [2b] not illuminated	Bad connection to the ballast or AC mains.	<ul style="list-style-type: none">• Check that the Lamp Cable [8] and the AC mains cable are correctly connected.
	Internal fuse defect.	<ul style="list-style-type: none">• Check the fuse on the ProBallast 800. If the problem remains after replacing the fuse, contact your nearest Profoto service station.
The ProDaylight 800 Air unit turns off automatically	The unit is overheated	<ul style="list-style-type: none">• Ensure better ventilation.• Wait until the temperature decreases before the unit is turned on again.• If the problem remains please contact your nearest Profoto service station.

List of compatible Profoto Light Shaping Tools

The ProDaylight 800 Air can be used in combination with the following Profoto light shapers:

- HR Softboxes
- HR Lanterns, except HR Lantern 1.7' FLAT (Max 400W)
- ProCine reflector including lenses
- Softlight reflector
- Magnum reflector
- Zoom reflector
- Narrow beam reflector
- Narrow beam travel reflector
- Wide Zoom reflector
- Tele Zoom reflector
- ProTube
- Disc reflector
- ProFresnel Spot
- Profoto Giant reflectors (parabolic)
- Profoto Silver umbrellas (with ProCine reflector only).
- Profoto Translucent umbrellas (with ProCine reflector only).

The ProDaylight 800 Air 800 is not recommended to be used with the following Profoto Light shapers:

- Profoto white umbrellas
- Grids
- Standard softboxes
- Hardbox
- ProBox
- Fresnel Small
- Spot Small
- ProGlobe
- Snoot
- Grid and filter holder

Technical data

ProDaylight 800 Air

Wattage	800W
Lamp type	GE CSR 800/SE/HR/UV-C
Socket type	G 22
Lamp life	750 hours
Nominal color temperature	5600 K
Dimensions	39 x 13 x 18 cm (15.4 x 5.1 x 7.1 in)
Weight	2.3 kg (5.1 lbs)

ProBallast 800

Lamp wattage	800W
Input voltage/frequency	Automatic sensing: 95-265 VAC, 50/60 Hz
Fuse	10A, Fast acting type, 5 x 20 mm
Power factor correction (PFC)	Yes
Power factor	0.98
Dimming	50-100%
Cooling	Passive
Lamp output	100 Hz (Flicker Free) 300 Hz (High speed) Silent (50 Hz)
Dimensions	38 x 14 x 19 cm (15.0 x 5.5 x 7.5 in)
Weight	6.7 kg

All data are to be considered as nominal and Profoto reserves the right make changes without further notice.

Warranty

All Profoto products are individually tested before they leave the company and guaranteed for a period of two years with the exception of flash tubes, glass covers, modeling lamps, batteries and cables. Profoto is not responsible for technical malfunctions created by improper use or accessories made by other companies. If you have any technical problems please get in contact with an authorized Profoto service station. The Warranty is subject to and shall be interpreted in accordance with the law of the country where the product is purchased.

Regulatory information

Declaration of Conformity – ProDaylight 800 Air

The ProDaylight 800 Air has been designed to conform to the relevant parts of the European directives Low Voltage Directive (LVD) 2006/95/EC and EMC Directive 2004/108/EC.

The ProDaylight 800 Air is a light armature for photographic purposes. The light source is a metal halide discharge lamp of maximum 800W. The ProDaylight 800 Air is intended for use with the ProBallast unit.

Manufacturer: Profoto AB

Adress: Box 2021, 128 21 SKARPNÄCK, Sweden

Product: ProDaylight 800 Air

Type: ProDaylight 800 Air 800 Air

Profoto declared that the product complies with the essential requirements of Low Voltage Directive (LVD) 2006/95/EC and EMC Directive 2004/108/EC.

For the evaluation of compliance, applicable parts of standard SS-EN 60598-1 have been applied.

Skarpnäck, January 2011



Bo Dalenius, VP Technology and QA,
Profoto AB

Declaration of Conformity – ProBallast 800

The ProBallast 800 has been designed to conform to the relevant parts of the European directives Low Voltage Directive (LVD) 2006/95/EC and EMC Directive 2004/108/EC.

The ProBallast 800 is a ballast unit used for power supply of the ProDaylight 800 Air unit.

Manufacturer: Profoto AB

Address: Box 2021, 128 21 SKARPNÄCK, Sweden

Product: ProBallast 800

Profoto declared that the product complies with the essential requirements of Low Voltage Directive (LVD) 2006/95/EC and EMC Directive 2004/108/EC.

For the evaluation of compliance, applicable parts of standard SS-EN 60598-1 have been applied.

Skarpnäck, January 2011



Bo Dalenius, VP Technology and QA,
Profoto AB

Unites States and Canada

F.C.C. and Industry Canada

Compliance Statement (Part 15.19)

This device complies with Part 15 of FCC rules and RSS-210 of Industry Canada.

Operation is subject to the following two conditions:

- 1) this device may not cause harmful interference and,
- 2) this device must accept any interference received, including interference that may cause undesired operation.



Warning (Part 15.21)

Changes or modifications not expressly approved by the party responsible for compliance could void the user's authority to operate the equipment.

22

Ce dispositif est conforme aux normes RSS-210 d'Industrie Canada.

L'utilisation de ce dispositif est autorisée seulement aux conditions suivantes :

- 1)il ne doit pas produire de brouillage et
- 2)l'utilisateur du dispositif doit être prêt à accepter tout brouillage radioélectrique reçu, même si ce brouillage est susceptible de compromettre le fonctionnement du dispositif.

The term 'IC' before the certification/registration number only signifies that the Industry Canada technical specifications were met.

Les lettres 'IC' n'ont aucune autre signification ni aucun autre but que d'identifier ce qui suit comme le numéro de certification/d'enregistrement d'Industrie Canada.

Profoto AB

Transmitter / Receiver

MODEL: Profoto Air RMI

PRODUCT NO: PNZ1808-0000

FCC ID: W4G-RMI

IC: 8167A-RMI

Made in Sweden

Japan

The module has been granted modular approval for sale and operation in Japan.

特定無線設備の種類

Classification of specified radio equipment:

Article 2, Clause 1, Item 19

2.4 GHz Wide Band Low Power Data Communication

上記のとおり、電波法第38条の24第1項の規定に基づく認証を行ったものであることを証する。

This is to certify that the above-mentioned certification by type has been granted in accordance with the provisions of Article 38-24, Paragraph 1 of the Radio Law.

In order to comply with Japanese regulations the output power must be limited to 10 dBm and any user access to the RF-parts must be hindered by using:

- An enclosure that needs special tools to open
- An RF-shield that protects the transceiver, amplifier and VCO.

The product must be labelled with the following registration number:



® 202WW08109201

Technical data and product information are subject to change without notice.

284001-1. Printed in Sweden.

Profoto AB
SWEDEN

Phone +46 8 447 53 00
info@profoto.com
www.profoto.com



Profoto®
The Light Shaping Company™